

Air Uno

Salieri Evo Ceiling Hood

Version

900mm – Stainless Steel – AME12 Motor



This photo is purely for information, it may not correspond to the selected version

FEATURES

Stainless Steel
Remote Control

TECHNICAL FEATURES

Installation Type

Ceiling

Dimensions

900mm

Finish

Stainless Steel

Motor

AME12 – 855m³/h

Type of Control

Remote Control

Speed Settings

4

Lighting

LED strip – 17W – 3000K

Filter

Metallic filter – 9x150x398mm

PACKAGING

Net Weight

16kg

Volume

0.27m³

Packaging Size

Length - 1100mm

Height - 340mm

Depth - 730mm

CONSUMPTION AND CONNECTION FEATURES

Maximum Consumption

207W

Current

3A Max

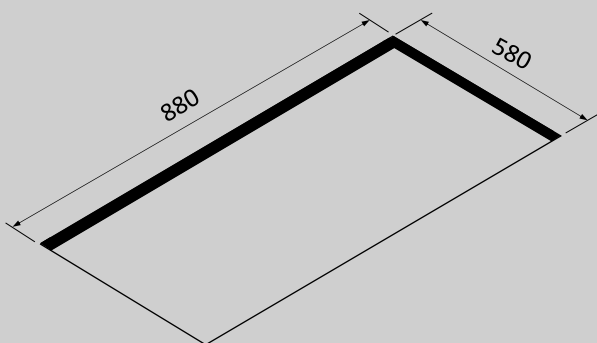
Voltage

220-240V

Motor Technical Data

Motor	AME12 Motor
Airflow m ³ /h	855
Pressure Pa	760
Noise dB	66-85
Power W	190
Outlet Width mm	220x90
Energy Class	B

Cut-Out Dimensions:



With Remote Motor

