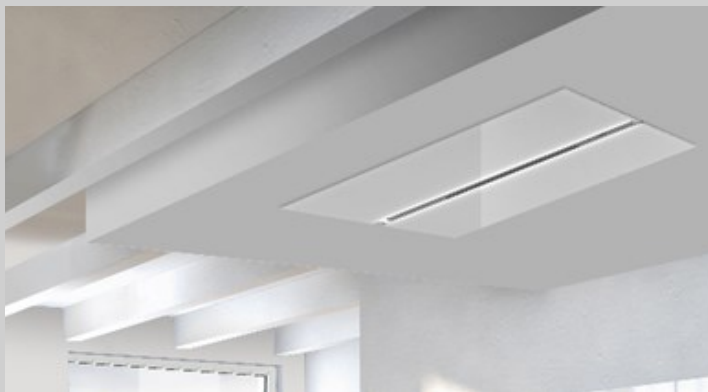


Air Uno

Salieri Evo Ceiling Hood

Version

1200mm – Stainless Steel – AMR20 Motor



This photo is purely for information, it may not correspond to the selected version

FEATURES

Stainless Steel
Remote Control

TECHNICAL FEATURES

Installation Type

Ceiling

Dimensions

1200mm

Finish

Stainless Steel

Motor

AMR20 – 1330m³/h

Type of Control

Remote Control

Speed Settings

4

Lighting

LED strip – 17W – 3000K

Filter

Metallic filter – 9x150x398mm

PACKAGING

Net Weight

21kg

Volume

0.31m³

Packaging Size

Length - 1300mm

Height - 345mm

Depth - 695mm

CONSUMPTION AND CONNECTION FEATURES

Maximum Consumption

707W

Current

3A Max

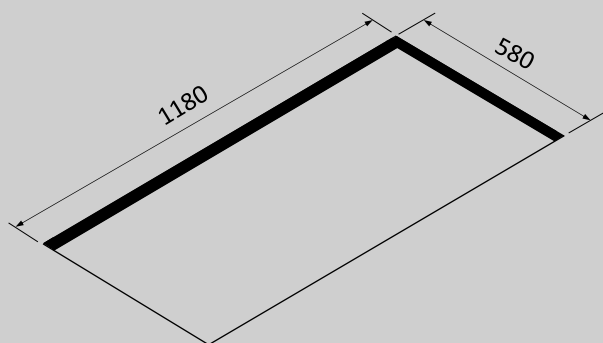
Voltage

220-240V

Motor Technical Data

Motor	AMR20 Motor
Airflow m ³ /h	1330
Pressure Pa	590
Noise dB	48-75
Power W	690
Outlet Width mm	220x90
Energy Class	B

Cut-Out Dimensions:



With Remote Motor

